

WHERE QUALITY  
MEETS PERFORMANCE

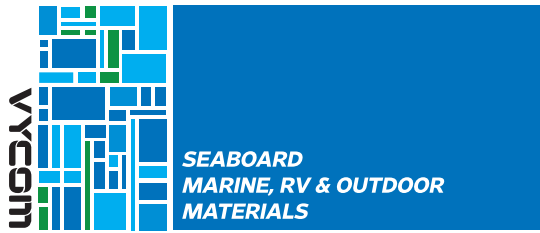


**ALLPLASTICS**  
ARCHITECTURAL & BUILDING

SEABOARD  
**SEABOARD**

## SEABOARD™ MARINE, RV, AND OUTDOOR MATERIALS

Vycom's Seaboard™ family of marine, RV, and outdoor materials provides superior performance in outdoor environments where water, UV exposure, and other harsh elements are present. Unlike wood or metal alternatives, our products will not rust, corrode, rot, delaminate, or splinter. With their superior scratch resistance, stiffness, and UV packages, our HDPE and PVC products are ideal for a wide range of applications, from outdoor cabinetry and marine furniture to signage, and recreational areas.



## SEABOARD™ PVC

Our rigid foamed PVC is ideal for wood or metal replacement applications. The materials are lead and heavy metal free, which allows them to optimize performance while being environmentally friendly. Seaboard™ PVC has an optimal density that gives it smaller cell structure for finishing with superior screw and staple retention. The premium UV package enhances material performance.

### Top Applications:

- Wood Replacement (Non-Load Bearing)
- Cabinetry
- Instrumental Panels / Consoles
- Marine Seat Backs and Bottoms
- Shutters
- Case Goods

### Key Material Benefits:

- Easy to Fabricate, Paint, or Laminate with Traditional Tools
- Great Screw, Nail, and Staple Retention
- High Strength-to-Weight Ratio
- Weatherability
- Easy to Form, Cut and Glue
- Light Weight
- Insect Resistant
- Will Not Rot, Swell, or Peel

### Competitive Advantages (vs. other competitors' similar materials):

- Smallest Cell Structure for Finishing
- Optimal Density for Superior Stiffness, Impact, and Fastening
- Oversized Sheets

### Compliances:

- UL 94 V-0 • ASTM-E-84 • NFPA-255 • RoHS Compliant

## SEABOARD™ HDPE

This UV stabilized material has great scratch and impact resistance, and stiffness, yet is easy to fabricate and machine for the most demanding applications. It is ideal for outdoor cabinetry, furniture, signage, and recreational area applications.

### Top Applications:

- Marine and Non-Marine Outdoor Cabinetry / Furniture
- Rails, Trim, and Components
- Hatches / Covers
- Decorative Wood / Metal Replacement

### Key Material Benefits:

- Excellent Scratch Resistance
- Weather Ability (UV Stabilized)
- Easy to Machine with Standard Tooling
- Great Impact and Stiffness
- Will Not Delaminate, Chip, Rot, or Swell
- No Moisture Absorption

### Competitive Advantages (vs. other competitors' similar materials):

- Superior Scratch Resistance
- Easier to Clean
- Stocked Colors, Sizes and Thicknesses
- Still FDA and USDA with UV Additive
- Gloss Finish
- Stiffness
- Capabilities

### Compliances:

- FDA • USDA • RoHS Compliant

## SEABOARD™ LITE HDPE

Seaboard™ LITE HDPE is produced utilizing co-extrusion technology that allows for solid outer surfaces with foamed core. The core is produced with a closed cell structure that eliminates propagation of moisture within core. It is 1/3 less weight than solid HDPE representing an opportunity for cost savings.

### Top Applications:

- Marine and Non-Marine Outdoor Cabinetry / Furniture
- Hatches and Covers for Recreational Vehicles
- Rails, Trim, and Components
- Decorative Wood / Metal Replacement

### Key Material Benefits:

- 1/3 Less Weight than Solid (Foamed Core)
- Closed / Small Cell Structure - Non Absorbent
- Solid Skinned Surface
- Weather Ability (UV Stabilized)

### Competitive Advantages (vs. other competitors' similar materials):

- Superior Scratch Resistance
- Color Availability

### Compliances:

- FDA • USDA • RoHS Compliant

## SEABOARD™ GRIP-X™

This UV stabilized material is textured for enhanced traction and slip resistance for step and flooring applications.

### Top Applications:

- Steps
- Flooring and Walk Ways
- Swim Platforms

### Key Material Benefits:

- Non Skid Surface
- UV Stabilized
- Diamond or Dot Pattern
- One Side Standard Matte Finish

### Competitive Advantages (vs. other competitors' similar materials):

- Superior UV Package

### Compliances:

- FDA
- USDA
- RoHS Compliant

## SEABOARD™ SUPREME DS

Our specially formulated foamed core material has more stiffness and twice the normal dimensional stability of Seaboard™ HDPE.

### Top Applications:

- Seat Bottoms
- Large Span Applications
- Engine Covers

### Key Material Benefits:

- 1/2 the Expansion / Contraction Versus Standard HDPE
- Twice the Stiffness of Standard HDPE
- Foamed Core for Reduced Weight
- UV Stabilized

### Competitive Advantages (vs. other competitors' similar materials):

- Proprietary Formulation

### Compliances:

- RoHS Compliant

## SEABOARD™ UTILITY

This economical grade of lightweight foamed HDPE is perfect for non-UV applications.

### Top Applications:

- Non Exposed Substrates
- Seat Backs and Bottoms
- Wood Replacement
- Weight Reduction Components

### Key Material Benefits:

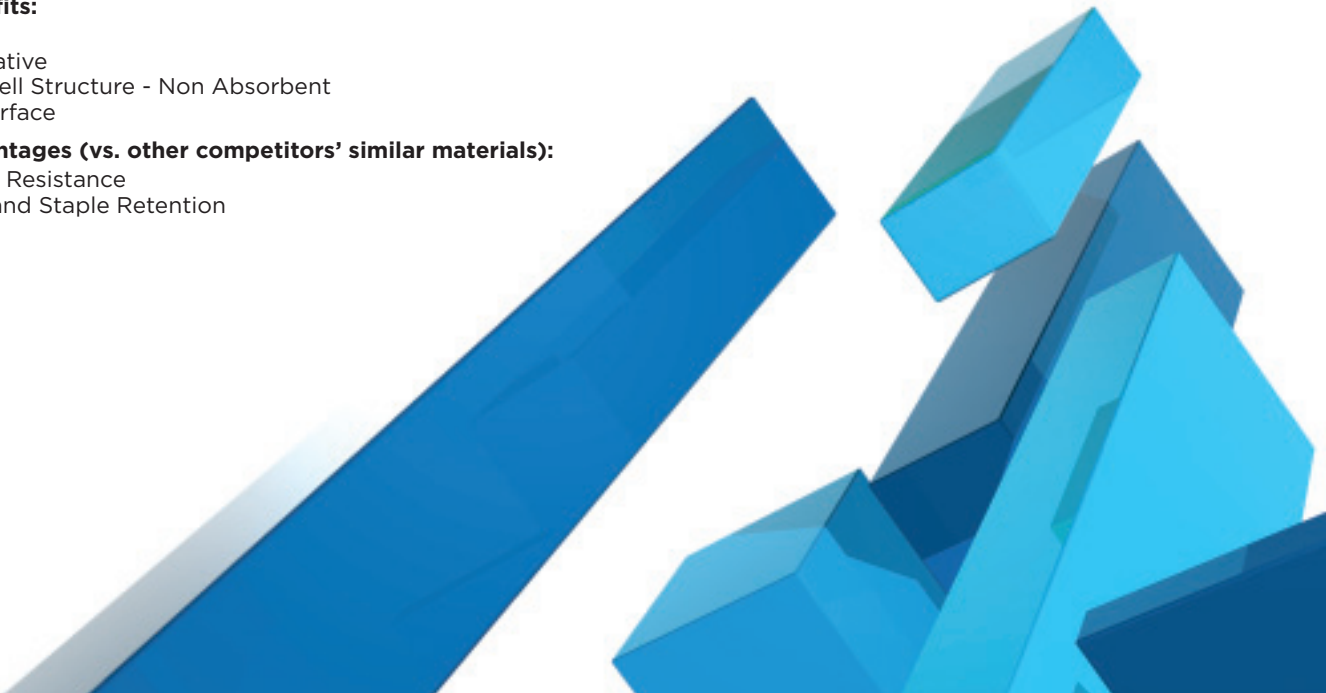
- 1/3 Less Weight
- Low Cost Alternative
- Closed / Small Cell Structure - Non Absorbent
- Solid Skinned Surface

### Competitive Advantages (vs. other competitors' similar materials):

- Superior Scratch Resistance
- Superior Screw and Staple Retention

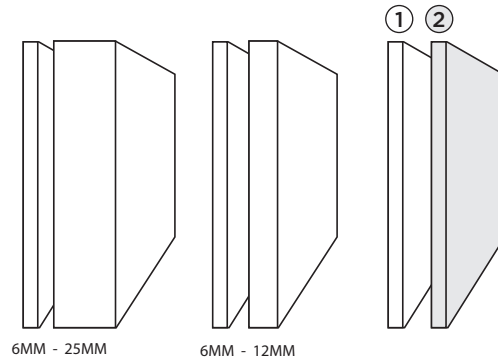
### Compliances:

- FDA
- USDA
- RoHS Compliant



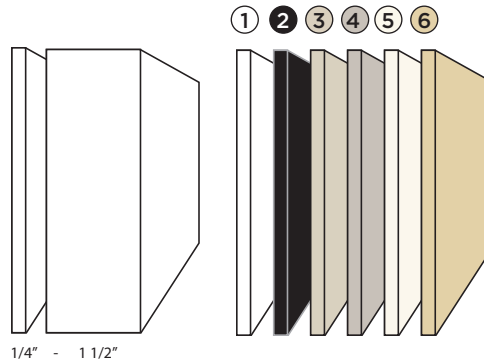
## SEABOARD™ PVC

COLORS:	THICKNESSES:	FINISH:
① WHITE	6MM - 25MM	SATIN SMOOTH
② LIGHT GRAY	6MM - 12MM	
<p>Standard sheet sizes in most formulations are 4'x8', 4'x10', 5'x10'.</p> <p>Custom colors and sizes available upon request.</p>		



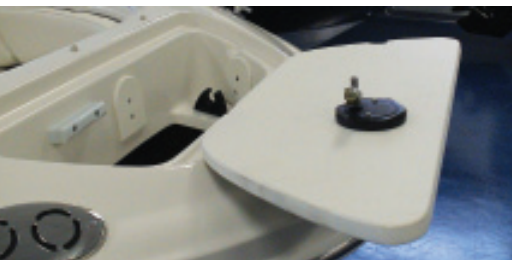
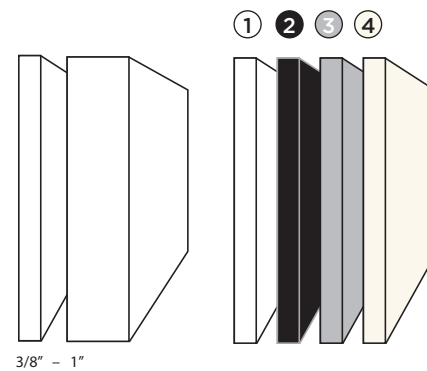
## SEABOARD™ HDPE

COLORS:	THICKNESSES:	FINISH:
① POLAR WHITE	1/4" - 1 1/2"	MATTE
② BLACK	1/4" - 1 1/2"	
③ CRAFT GRAY	1/4" - 1 1/2"	
④ MERCURY GRAY	1/4" - 1 1/2"	
⑤ SEAFOAM	1/4" - 1 1/2"	
⑥ SAND SHADE	1/4" - 1 1/2"	
<p>Standard sheet sizes in most formulations are 4'x8', 54"x96".</p> <p>Custom colors and sizes available upon request.</p>		



## SEABOARD™ LITE HDPE

COLORS:	THICKNESSES:	FINISH:
① WHITE	3/8" - 1"	MATTE
② BLACK	3/8" - 1"	
③ GRAY	3/8" - 1"	
④ SEAFOAM	3/8" - 1"	
<p>Standard sheet size in most formulations is 54"x96".</p> <p>Custom colors and sizes available upon request.</p>		



## SEABOARD™ GRIP-X™

### COLORS:

### THICKNESSES:

### FINISH:

① POLAR WHITE

1/2" - 3/4"

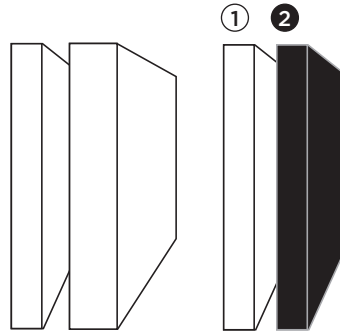
MATTE

② BLACK

1/2" - 3/4"

Standard sheet size in most formulations is 54"x96".

Custom colors and sizes available upon request.



1/2" - 3/4"

## SEABOARD™ SUPREME DS

### COLORS:

### THICKNESSES:

### FINISH:

① BLACK

3/8" - 1"

MATTE

Standard sheet size in most formulations is 4'x8'.

Custom colors and sizes available upon request.



3/8" - 1"

## SEABOARD™ UTILITY

### COLORS:

### THICKNESSES:

### FINISH:

① POLAR WHITE

3/8 - 1"

MATTE

② BLACK

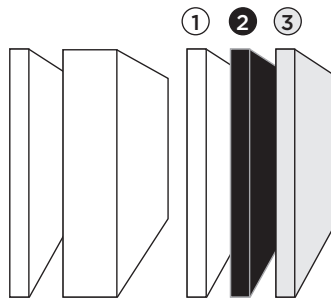
3/8 - 1"

③ GRAY

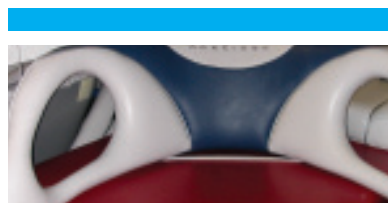
3/8 - 1"

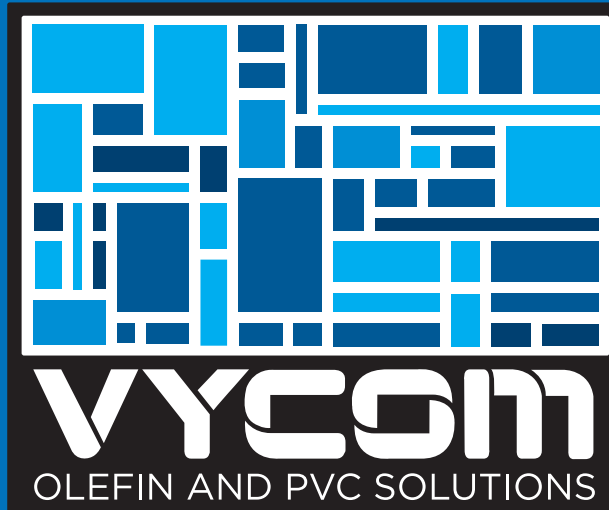
Standard sheet size in most formulations is 4'x8'.

Custom colors and sizes available upon request.



3/8" - 1"





For more than a quarter of a century, Vycom has led the Olefin and PVC sheet products industry with innovative materials for a wide variety of uses. We strive to be the essential partner in creating and implementing solutions in Olefin and PVC polymers that optimize quality and performance. Vycom offers the largest range of products, capabilities, and inventory for all your Olefin and PVC needs.

**WHERE QUALITY  
MEETS PERFORMANCE**

**801 E. Corey Street, Scranton, PA 18505**

**Phone: (800) 235-8320 • Fax: (800) 858-9266**

**[www.vycomplastics.com](http://www.vycomplastics.com)**